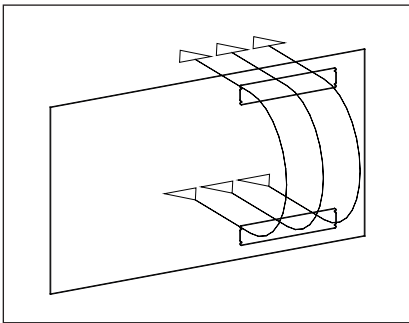


Skovby Remote Link®

technical information

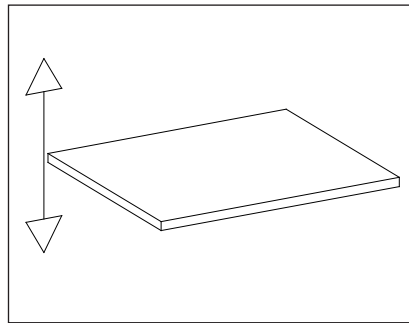


The Remote Link electronics work within the frequency area of 30-60 kHz. This means that it is compatible with basically all remote controls using infrared light. (B&O equipment excepted). The receiver electronics are built into a metal pipe behind the logo plate. Inside the cabinet there is a signal booster to which the transmitters are connected. When you point your remote control at the logo plate, the electronics inside the cabinet will repeat the signal so that you can control the equipment even though it is hidden behind the doors of the cabinet or lowboard.



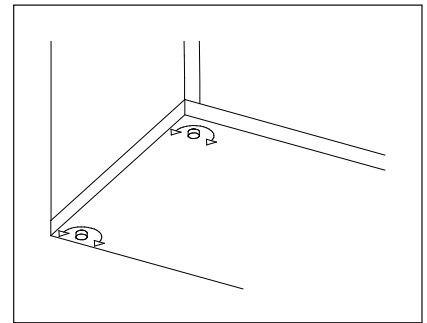
Ventilation and cables

All Skovby TV/ Hi-Fi furniture is equipped with holes for cables and ventilation to keep the AV equipment from overheating.



Adjustable shelves

The TV furniture have adjustable shelves. This gives you maximum flexibility when placing your AV-equipment inside the furniture.



Integrated levelers

Not all floors are even. All Skovby TV/Hi-Fi furniture is therefore supplied with easily adjusted levelers.

